

## **DN6.66x - 24 channel 16 bit generatorNETBOX up to 1.25 GS/s**

- 12, 16, 20 or 24 channels with 625 MS/s
- 6, 8, 10 or 12 channels with 1.25 GS/s
- Simultaneous arbitrary generation on all channels
- Output signal bandwidth up to 400 MHz
- Output level  $\pm 80$  mV to  $\pm 2.5$  V ( $\pm 2.0$  V) into  $50 \Omega$   
( $\pm 160$  mV to  $\pm 5$  V ( $\pm 4$  V) into high-impedance loads)
- Fixed trigger to output delay
- Huge 1 GByte per channel internal memory
- Modes: Single-Shot, Loop, FIFO, Sequence Replay Mode, Gated, ...



- Ethernet Remote Instrument
- LXI Core 2011 compatible
- GBit Ethernet Interface
- Sustained streaming mode up to 100 MB/s
- Direct Connection to PC/Laptop
- Connect anywhere in company LAN
- Embedded Webserver for Maintenance/Updates
- Embedded Server option for open Linux platform

<b>Operating Systems</b>	<b>SBench 6 Professional Included</b>	<b>Drivers</b>
<ul style="list-style-type: none"> <li>• Windows XP, Vista, 7, 8, 10</li> <li>• Linux Kernel 2.6, 3.x, 4.x</li> <li>• Windows/Linux 32 and 64 bit</li> </ul>	<ul style="list-style-type: none"> <li>• Acquisition, Generation and Display of analog and digital data</li> <li>• Calculation, Documentation and Import, Export</li> </ul>	<ul style="list-style-type: none"> <li>• LabVIEW, MATLAB, LabWindows/CVI</li> <li>• C/C++, GNU C++, VB.NET, C#, J#, Borland Delphi, Java, Python, IVI</li> </ul>

<b>Model</b>	<b>Resolution</b>	<b>channels</b>	<b>sampling speed</b>	<b>memory per channel</b>
DN6.663-12	16 Bit	12	1.25 GS/s	1 GSample
DN6.663-10	16 Bit	10	1.25 GS/s	1 GSample
DN6.663-08	16 Bit	8	1.25 GS/s	1 GSample
DN6.663-06	16 Bit	6	1.25 GS/s	1 GSample
DN6.662-24	16 Bit	24	625 MS/s	512 MSample
DN6.662-20	16 Bit	20	625 MS/s	512 MSample
DN6.662-16	16 Bit	16	625 MS/s	512 MSample
DN6.662-12	16 Bit	12	625 MS/s	512 MSample

### **General Information**

The generatorNETBOX DN6.66x series allows generation of arbitrary signals on up to 24 channels with update (sampling) rates of 625 MS/s or 12 channels with up to of 1.25 GS/s. These Ethernet Remote instruments offer outstanding D/A features both in resolution and signal quality. The combination of high sampling rate and resolution makes these AWGs the top-of-the-range for applications that require high quality signal generation.

The generatorNETBOX can be installed anywhere in the company LAN and can be remotely controlled from a host PC.

## Software Support

### Windows Support

The digitizerNETBOX/generatorNETBOX can be accessed from Windows XP, as well as Vista, Windows 7, Windows 8, Windows 10 (each 32 bit and 64 bit). Programming examples for Visual C++, Borland C++ Builder, LabWindows/CVI, Borland Delphi, Visual Basic, VB.NET, C#, J#, Python, Java and IVI are included.

### Linux Support



The digitizerNETBOX/generatorNETBOX can be accessed from any Linux system. The Linux support includes SMP systems, 32 bit and 64 bit systems, versatile programming examples for Gnu C++, Python as well as drivers for MATLAB for Linux. SBench 6, the powerful data acquisition and analysis software from Spectrum is also included as a Linux version.

### Discovery Protocol

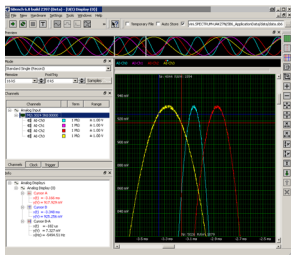
Physical Location	
Bus No	0
Device No	0
Function No	0
Slot No	0
IP	192.168.169.14
VISA	TCP/IP[0]:192.168.169.14::inst0::INSTR

The Discovery function helps you to find and identify any Spectrum LXI instruments, like the digitizerNETBOX and generatorNETBOX, available to your computer on the network.

The Discovery function will also locate any Spectrum card products that are managed by an installed Spectrum Remote Server somewhere on the network.

After running the discovery function the card information is cached and can be directly accessed by SBench 6. Furthermore the qualified VISA address is returned and can be used by any software to access the remote instrument.

### SBench 6 Professional



The digitizerNETBOX and generatorNETBOX can be used with Spectrum's powerful software SBench 6 – a Professional license for the software is already installed in the box. SBench 6 supports all of the standard features of the instrument. It has a variety of display windows as well as analysis, export and documentation

functions.

- Available for Windows XP, Vista, Windows 7, Windows 8, Windows 10 and Linux
- Easy to use interface with drag and drop, docking windows and context menus
- Display of analog and digital data, X-Y display, frequency domain and spread signals
- Designed to handle several GBytes of data
- Fast data preview functions

### IVI Driver

The IVI standards define an open driver architecture, a set of instrument classes, and shared software components. Together these provide critical elements needed for instrument interchangeability. IVI's defined Application Programming Interfaces (APIs) standardize common measurement functions reducing the time needed to learn a new IVI instrument.

The Spectrum products to be accessed with the IVI driver can be locally installed data acquisition cards, remotely installed data acquisition

cards or remote LXI instruments like digitizerNETBOX/generatorNETBOX. To maximize the compatibility with existing IVI based software installations, the Spectrum IVI driver supports IVI Scope, IVI Digitizer and IVI FGen class with IVI-C and IVI-COM interfaces.

### Third-party Software Products

Most popular third-party software products, such as LabVIEW, MATLAB or LabWindows/CVI are supported. All drivers come with examples and detailed documentation.

### Embedded Webserver



Instrument Welcome Page	
Instrument Model	DN2.465-08
Manufacturer	Spectrum GmbH
Serial Number	1234
Description	Spectrum GmbH_DN2.465-08,1234,3.32.13608
LXI Features	LXI Core 2011
LXI Version	LXI Device Specification 2011 rev. 1.4
Host Name	192.168.169.20
mDNS Host Name	DN2_465-08_sn1234.local
MAC Address	0C:C4:7A:B3:C2:A2
TCP/IP Address	192.168.169.20
Firmware Revision	40
Software Revision	3.32.13608
Software Address String [VISA]	TCP/IP::192.168.169.20::INSTR
LAN ID Indicator	<input type="checkbox"/> Enable

The integrated webserver follows the LXI standard and gathers information on the product, set up of the Ethernet configuration and current status. It also allows the setting of a configuration password, access to documentation and updating of the complete instrument firmware, including the embedded remote server and the webserver.

## Hardware features and options

### LXI Instrument



The digitizerNETBOX and generatorNETBOX are fully LXI instrument compatible to LXI Core 2011 following the LXI Device Specification

2011 rev. 1.4. The digitizerNETBOX/generatorNETBOX has been tested and approved by the LXI Consortium.

Located on the front panel is the main on/off switch, LEDs showing the LXI and Acquisition status and the LAN reset switch.

### Front Panel



Standard SMA connectors are used for all analog input signals and all trigger and clock signals. No special adapter cables are needed and the connection is secure even when used in a moving environment.

Custom front panels are available on request even for small series, be it BNC, LEMO connectors or custom specific connectors.

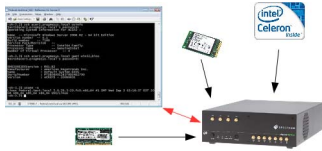
### Ethernet Connectivity



The GBit Ethernet connection can be used with COTS Ethernet cabling as well as special industrial grade Buccaneer Ethernet cables. The integration into a standard LAN allows to connect the digitizerNETBOX/generatorNETBOX either directly to a desktop PC or Laptop or it is possible

to place the instrument somewhere in the company LAN and access it from any desktop over the LAN.

## Option Embedded Server



The option turns the digitizerNETBOX/generatorNETBOX in a powerful PC that allows to run own programs on a small and remote data acquisition system. The digitizerNETBOX/generatorNETBOX is enhanced by more memory, a powerful CPU, a freely accessible internal SSD and a remote software development access method.

The digitizerNETBOX/generatorNETBOX can either run connected to LAN or it can run totally independent, storing data to the internal SSD. The original digitizerNETBOX/generatorNETBOX remote instrument functionality is still 100% available. Running the embedded server option it is possible to pre-calculate results based on the acquired data, store acquisitions locally and to transfer just the required data or results parts in a client-server based software structure. A different example for the digitizerNETBOX/generatorNETBOX embedded server is surveillance/logger application which can run totally independent for days and send notification emails only over LAN or offloads stored data as soon as it's connected again.

Access to the embedded server is done through a standard text based Linux shell based on the ssh secure shell.

When singleshot output is activated the data of the on-board memory is played exactly one time. The trigger source can be either one of the external trigger inputs or the software trigger. After the first trigger additional trigger events will be ignored.

## Singleshot output

When the repeated output mode is used the data of the on-board memory is played continuously for a programmed number of times or until a stop command is executed. The trigger source can be either one of the external trigger inputs or the software trigger. After the first trigger additional trigger events will be ignored.

## Repeated output

When this mode is activated the data of the on-board memory will be replayed once after each trigger event. The trigger source can be either the external TTL trigger or software trigger.

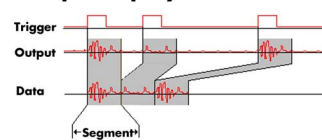
## Single Restart replay

The FIFO mode is designed for continuous data transfer between PC memory or hard disk and the generation board. The control of the data stream is done automatically by the driver on an interrupt request basis. The complete installed on-board memory is used for buffering data, making the continuous streaming extremely reliable.

## FIFO mode

The Multiple Replay mode allows the fast output generation on several trigger events without restarting the hardware. With this option very fast repetition rates can be achieved. The on-board memory is divided into several segments of the same size. Each segment can contain different data which will then be played with the occurrence of each trigger event.

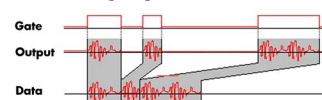
## Multiple Replay



The Multiple Replay mode allows the fast output generation on several trigger events without restarting the hardware. With this option very fast repetition rates can be achieved. The on-board memory is divided into several segments of the same size. Each segment can contain different data which will then be played with the occurrence of each trigger event.

The Gated Sampling mode allows data replay controlled by an external gate signal. Data is only replayed if the

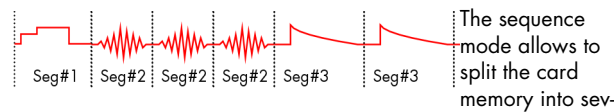
## Gated Replay



The Gated Sampling mode allows data replay controlled by an external gate signal. Data is only replayed if the

gate signal has attained a programmed level.

## Sequence Mode



The sequence mode allows to split the card memory into several data segments of different length. These data segments are chained up in a user chosen order using an additional sequence memory. In this sequence memory the number of loops for each segment can be programmed and trigger conditions can be defined to proceed from segment to segment. Using the sequence mode it is also possible to switch between replay waveforms by a simple software command or to redefine waveform data for segments simultaneously while other segments are being replayed.

External trigger input

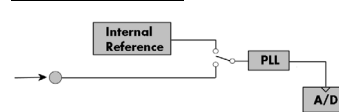
## External trigger input

All boards can be triggered using up to two external analog or digital signals. One external trigger input has two analog comparators that can define an edge or window trigger, a hysteresis trigger or a rearm trigger. The other input has one comparator that can be used for standard edge and level triggers.

## External clock input and output

Using a dedicated connector a sampling clock can be fed in from an external system. Additionally it's also possible to output the internally used sampling clock on a separate connector to synchronize external equipment to this clock.

## Reference clock



The option to use a precise external reference clock (normally 10 MHz) is necessary to synchronize the instrument for high-quality measurements with external equipment (like a signal source). It's also possible to enhance the quality of the sampling clock in this way. The driver automatically generates the requested sampling clock from the fed in reference clock.

External clock input and output

## External clock input and output

Using a dedicated connector a sampling clock can be fed in from an external system. Additionally it's also possible to output the internally used sampling clock on a separate connector to synchronize external equipment to this clock.

## Technical Data

### Analog Outputs

Resolution		16 bit
D/A Interpolation		no interpolation
Output amplitude M4i.663x (1.25 GS/s version)	software programmable	$\pm 80$ mV up to $\pm 2$ V in 1 mV steps into 50 $\Omega$ termination (resulting in $\pm 160$ mV up to $\pm 4$ V in 2mV steps into high impedance loads)
Output amplitude M4i.662x (625 MS/s version)	software programmable	$\pm 80$ mV up to $\pm 2.5$ V in 1 mV steps into 50 $\Omega$ termination (resulting in $\pm 160$ mV up to $\pm 5$ V in 2mV steps into high impedance loads)
Output offset	fixed	0 V
Output Amplifier Path Selection	automatically by driver	Low Power path: $\pm 80$ mV to $\pm 480$ mV (into 50 $\Omega$ ) High Power path: $\pm 420$ mV to $\pm 2.5$ V/ $\pm 2$ V (into 50 $\Omega$ )
Output Amplifier Setting Hysteresis	automatically by driver	420 mV to 480 mV (if output is using low power path it will switch to high power path at 480 mV. If output is using high power path it will switch to low power path at 420 mV)
Output amplifier path switching time		10 ms (output disabled while switching)
Filters	software programmable	bypass with no filter or one fixed filter
DAC Differential non linearity (DNL)	DAC only	$\pm 0.5$ LSB typical
DAC Integral non linearity (INL)	DAC only	$\pm 1.0$ LSB typical
Output resistance		50 $\Omega$
Minimum output load		0 $\Omega$
Max output swing in 50 $\Omega$		$\pm 2.5$ V for 625 MS/s versions or $\pm 2$ V for 1.25 GS/s version
Output accuracy	Low power path High power path	$\pm 0.5$ mV $\pm 0.1\%$ of programmed output amplitude $\pm 1.0$ mV $\pm 0.2\%$ of programmed output amplitude

### Trigger

Available trigger modes	software programmable	External, Software, Window, Re-Arm, Or/And, Delay, PXI (M4x only)
Trigger edge	software programmable	Rising edge, falling edge or both edges
Trigger delay	software programmable	0 to (8GSamples - 32) = 8589934560 Samples in steps of 32 samples
Multi, Gate: re-arming time		40 samples
Trigger to Output Delay	models with 625 MS/s	244 sample clocks (fixed)
Trigger to Output Delay	models with 1.25 GS/s	TBD
Memory depth	software programmable	32 up to [installed memory / number of active channels] samples in steps of 32
Multiple Replay segment size	software programmable	16 up to [installed memory / 2 / active channels] samples in steps of 16
Trigger accuracy (all sources)		1 sample
Minimum external trigger pulse width		$\geq 2$ samples

		<b>Ext0</b>	<b>Ext1</b>
External trigger		50 $\Omega$ / 1 k $\Omega$	1 k $\Omega$
External trigger impedance	software programmable	AC or DC	fixed DC
External trigger coupling	software programmable	Window comparator	Single level comparator
External trigger type		$\pm 10$ V (1 k $\Omega$ ), $\pm 2.5$ V (50 $\Omega$ ), 2.5% of full scale range	$\pm 10$ V 2.5% of full scale range = 0.5 V
External input level			
External trigger sensitivity (minimum required signal swing)			
External trigger level	software programmable	$\pm 10$ V in steps of 1 mV	$\pm 10$ V in steps of 1 mV
External trigger maximum voltage		$\pm 30$ V	$\pm 30$ V
External trigger bandwidth DC	50 $\Omega$ 1 k $\Omega$	DC to 200 MHz DC to 150 MHz	n.a. DC to 200 MHz
External trigger bandwidth AC	50 $\Omega$	20 kHz to 200 MHz	n.a.
Minimum external trigger pulse width		$\geq 2$ samples	$\geq 2$ samples

### Clock

Clock Modes	software programmable	internal PLL, external reference clock, Star-Hub sync (M4i only), PXI Reference Clock (M4x only)
Internal clock accuracy		$\leq \pm 20$ ppm
Internal clock setup granularity		8 Hz (internal reference clock only, restrictions apply to external reference clock)
Setable Clock speeds		50 MHz to max sampling clock
Clock Setting Gaps		750 to 757 MHz, 1125 to 1145 MHz (no sampling clock possible in these gaps)
External reference clock range	software programmable	$\geq 10$ MHz and $\leq 1.25$ GHz
External reference clock input impedance		50 $\Omega$ fixed
External reference clock input coupling		AC coupling
External reference clock input edge		Rising edge
External reference clock input type		Single-ended, sine wave or square wave
External reference clock input swing		0.3 V peak-peak up to 3.0 V peak-peak
External reference clock input max DC voltage		$\pm 30$ V (with max 3.0 V difference between low and high level)
External reference clock input duty cycle requirement		45% to 55%
External reference clock output type		Single-ended, 3.3V LVPECL
Clock output	sampling clock $\leq 71.68$ MHz	Clock output = sampling clock/4
Clock output	sampling clock $> 71.68$ MHz	Clock output = sampling clock/8
Star-Hub synchronization clock modes	software selectable	Internal clock, external reference clock

## **Sequence Replay Mode (Mode available starting with firmware V1.14)**

Number of sequence steps	software programmable	1 up to 4096 (sequence steps can be overloaded at runtime)
Number of memory segments	software programmable	2 up to 64k (segment data can be overloaded at runtime)
Loop Count	software programmable	1 to (1M - 1) loops
Sequence Step Commands	software programmable	Loop for #Loops, Next, Loop until Trigger, End Sequence
Special Commands	software programmable	Data Overload at runtime, sequence steps overload at runtime, readout current replayed sequence step
Limitations for synchronized products		Software commands changing the sequence are not synchronized between cards. This also applies to multipel AWG modules in a generatorNETBOX.

## **Multi Purpose I/O lines (front-plate)**

Number of multi purpose lines		three, named X0, X1, X2
Input: available signal types	software programmable	Asynchronous Digital-In
Input: impedance		10 k $\Omega$ to 3.3 V
Input: maximum voltage level		-0.5 V to +4.0 V
Input: signal levels		3.3 V LVTTTL
Output: available signal types	software programmable	Asynchronous Digital-Out, Synchronous Digital-Out, Trigger Output, Run, Arm, Marker Output, System Clock
Output: impedance		50 $\Omega$
Output: signal levels		3.3 V LVTTTL
Output: type		3.3V LVTTTL, TTL compatible for high impedance loads
Output: drive strength		Capable of driving 50 $\Omega$ loads, maximum drive strength $\pm$ 48 mA
Output: update rate		sampling clock

## **Connectors**

Analog Channels		SMA male (one for each single-ended input)	Cable-Type: Cab-3fa-xx-xx
Clock Input		SMA male	Cable-Type: Cab-3fa-xx-xx
Clock Output		SMA male	Cable-Type: Cab-3fa-xx-xx
Trg0 Input		SMA male	Cable-Type: Cab-3fa-xx-xx
Trg1 Input		SMA male	Cable-Type: Cab-3fa-xx-xx
X0/Trigger Output/Timestamp Reference Clock	programmable direction	SMA male	Cable-Type: Cab-3fa-xx-xx
X1	programmable direction	SMA male	Cable-Type: Cab-3fa-xx-xx
X2	programmable direction	SMA male	Cable-Type: Cab-3fa-xx-xx

## **Option digitizerNETBOX/generatorNETBOX embedded server (DN2.xxx-Emb, DN6.xxx-Emb)**

CPU	Intel Quad Core 2 GHz
System memory	4 GByte RAM
System data storage	Internal 128 GByte SSD
Development access	Remote Linux command shell (ssh), no graphical interface (GUI) available
Accessible Hardware	Full access to Spectrum instruments, LAN, front panel LEDs, RAM, SSD
Integrated operating system	OpenSuse 12.2 with kernel 3.4.6.

## **Ethernet specific details**

LAN Connection	Standard RJ45 or Ethernet Buccaneer(R) for screw connection
LAN Speed	Auto Sensing: GBit Ethernet, 100BASE-T, 10BASE-T
Sustained Streaming speed	DN2.20, DN2.46, DN2.47, DN2.49, DN2.60 up to 70 MByte/s DN6.46, DN6.49 DN2.22, DN2.44, DN2.66 up to 100 MByte/s DN6.22, DN6.44, DN6.66
Used LAN Ports	Webserver: 80 mDNS Daemon: 5353 VISA Discovery Protocol: 111, 9757 UPNP Daemon: 1900 Spectrum Remote Server: 1026, 5025

## **Power connection details**

Mains AC power supply	Input voltage: 90 to 264 VAC, 50 to 60 Hz
AC power supply connector	IEC 60320-1-C14 (PC standard coupler)
Power supply cord	power cord included for Schuko contact (CEE 7/7)

## **Certification, Compliance, Warranty**

EMC Immunity	Compliant with CE Mark
EMC Emission	Compliant with CE Mark
Product warranty	5 years starting with the day of delivery
Software and firmware updates	Life-time, free of charge

## Bandwidth and Slewrate

	Filter	Output Amplitude	M4i.663x-x8 M4x.663x-x8 DN2.663-xx DN6.663-xx	M4i.662x-x8 M4x.662x-x8 DN2.662-xx DN6.662-xx
Maximum Output Rate			1.25 GS/s	625 MS/s
-3d Bandwidth	no Filter	±480 mV	400 MHz	200 MHz
-3d Bandwidth	no Filter	±1000 mV	320 MHz	200 MHz
-3d Bandwidth	no Filter	±2000 mV	320 MHz	200 MHz
-3d Bandwidth	Filter	all	65 MHz	65 MHz
Slewrate	no Filter	±480 mV	4.5 V/ns	2.25 V/ns

## Dynamic Parameters

	M4i.662x-x8 M4x.662x-x8 DN2.662-xx DN6.662-xx							
Test - Samplerate	625 MS/s				625 MS/s		625 MS/s	
Output Frequency	10 MHz				50 MHz		50 MHz	
Output Level in 50 Ω	±480 mV	±1000mV	±2500mV	±480 mV	±2500mV	±480 mV	±2500mV	
Used Filter	none				none		Filter enabled	
NSD (typ)	-150 dBm/Hz	-149 dBm/Hz	-149 dBm/Hz	-150 dBm/Hz	-149 dBm/Hz	-150 dBm/Hz	-149 dBm/Hz	
SNR (typ)	70.7 dB	72.4 dB	63.1 dB	65.3 dB	64.4 dB	67.5 dB	69.4 dB	
THD (typ)	-73.3 dB	-70.5 dB	-49.7 dB	-64.1 dB	-39.1 dB	-68.4 dB	-50.4 dB	
SINAD (typ)	69.0 dB	67.7 dB	49.5 dB	61.6 dB	39.1 dB	64.9 dB	50.3 dB	
SFDR (typ), excl harm.	98 dB	98 dB	99 dB	86 dB	76 dB	88 dB	89 dB	
ENOB (SINAD)	11.2	11.0	8.0	10.0	6.2	10.5	8.1	
ENOB (SNR)	11.5	11.7	10.2	10.5	10.4	10.9	11.2	

	M4i.663x-x8 M4x.663x-x8 DN2.663-xx DN6.663-xx							
Test - Samplerate	1.25 GS/s				1.25 GS/s		1.25 GS/s	
Output Frequency	10 MHz				50 MHz		50 MHz	
Output Level in 50 Ω	±480 mV	±1000mV	±2000mV	±480 mV	±2000mV	±480 mV	±2000mV	
Used Filter	none				none		Filter enabled	
NSD (typ)	-150 dBm/Hz	-149 dBm/Hz	-149 dBm/Hz	-150 dBm/Hz	-149 dBm/Hz	-150 dBm/Hz	-149 dBm/Hz	
SNR (typ)	70.5 dB	72.1 dB	71.4 dB	65.2 dB	65.0 dB	67.2 dB	68.2 dB	
THD (typ)	-74.5 dB	-73.5 dB	-59.1 dB	-60.9 dB	-43.9 dB	-67.9 dB	-63.1 dB	
SINAD (typ)	69.3 dB	69.7 dB	59 dB	59.5 dB	43.9 dB	64.5 dB	61.9 dB	
SFDR (typ), excl harm.	96 dB	97 dB	98 dB	85 dB	84 dB	87 dB	87 dB	
ENOB (SINAD)	11.2	11.2	9.5	9.6	6.9	10.4	10.0	
ENOB (SNR)	11.5	11.5	11.5	10.5	10.5	10.9	11.0	

THD and SFDR are measured at the given output level and 50 Ohm termination with a high resolution M3i.4860/M4i.4450-x8 data acquisition card and are calculated from the spectrum. Noise Spectral Density is measured with built-in calculation from an HP E4401B Spectrum Analyzer. All available D/A channels are activated for the tests. SNR and SFDR figures may differ depending on the quality of the used PC. NSD = Noise Spectral Density, THD = Total Harmonic Distortion, SFDR = Spurious Free Dynamic Range.

## DN6 specific Technical Data

### Environmental and Physical Details DN6.xxx

Dimension of Chassis without connectors or bumpers	L x W x H	464 mm x 431 mm x 131 mm
Dimension of Chassis with 19" rack mount option	L x W x H	464 mm x TBD mm x 131 mm (3U height)
Weight (3 internal acquisition/generation modules)		13.4 kgs, with rack mount kit: TBD kg
Weight (4 internal acquisition/generation modules)		12.9 kgs, with rack mount kit: TBD kg
Weight (5 internal acquisition/generation modules)		12.5 kgs, with rack mount kit: TBD kg
Weight (6 internal acquisition/generation modules)		12.1 kgs, with rack mount kit TBD kg
Warm up time		10 minutes
Operating temperature		0°C to 50°C
Storage temperature		-10°C to 70°C
Humidity		10% to 90%

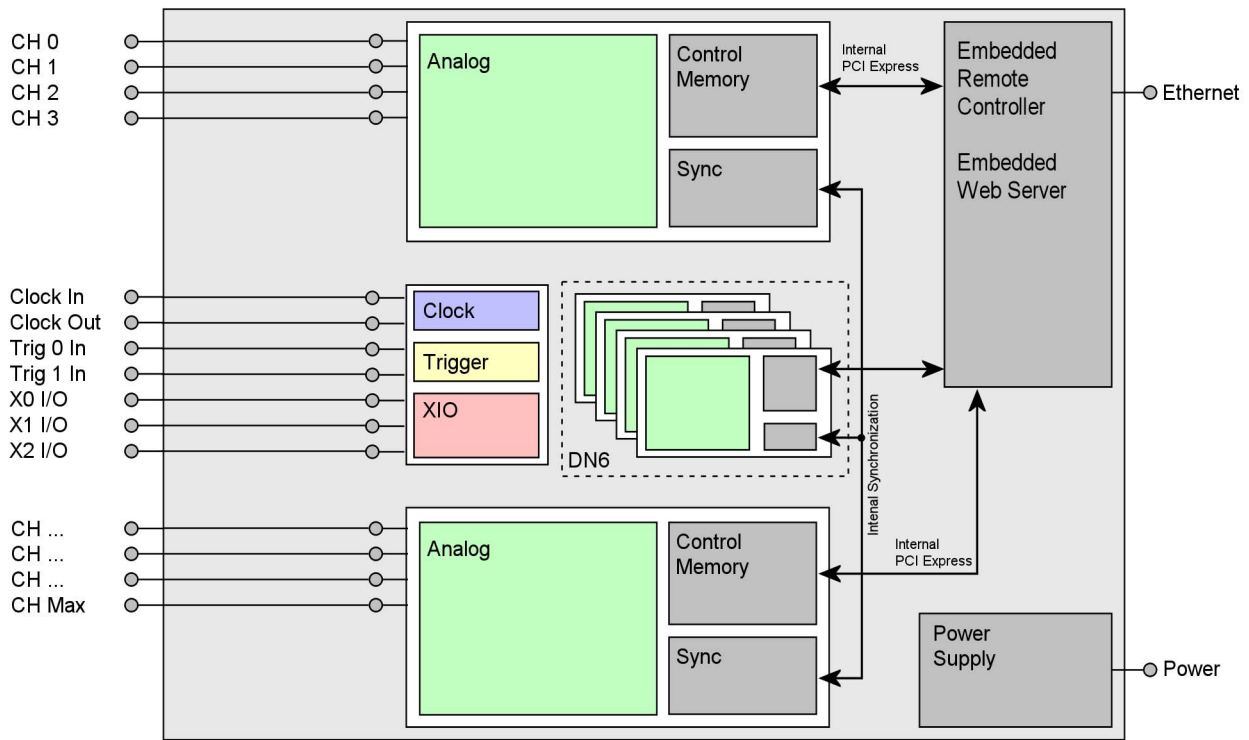
### Power Consumption

	230 VAC	
DN2.662-12, DN2.663-06	TBD	TBD
DN2.662-16, DN2.663-08	TBD	TBD
DN2.662-20, DN2.663-10	TBD	TBD
DN2.662-24, DN2.663-12	TBD	TBD

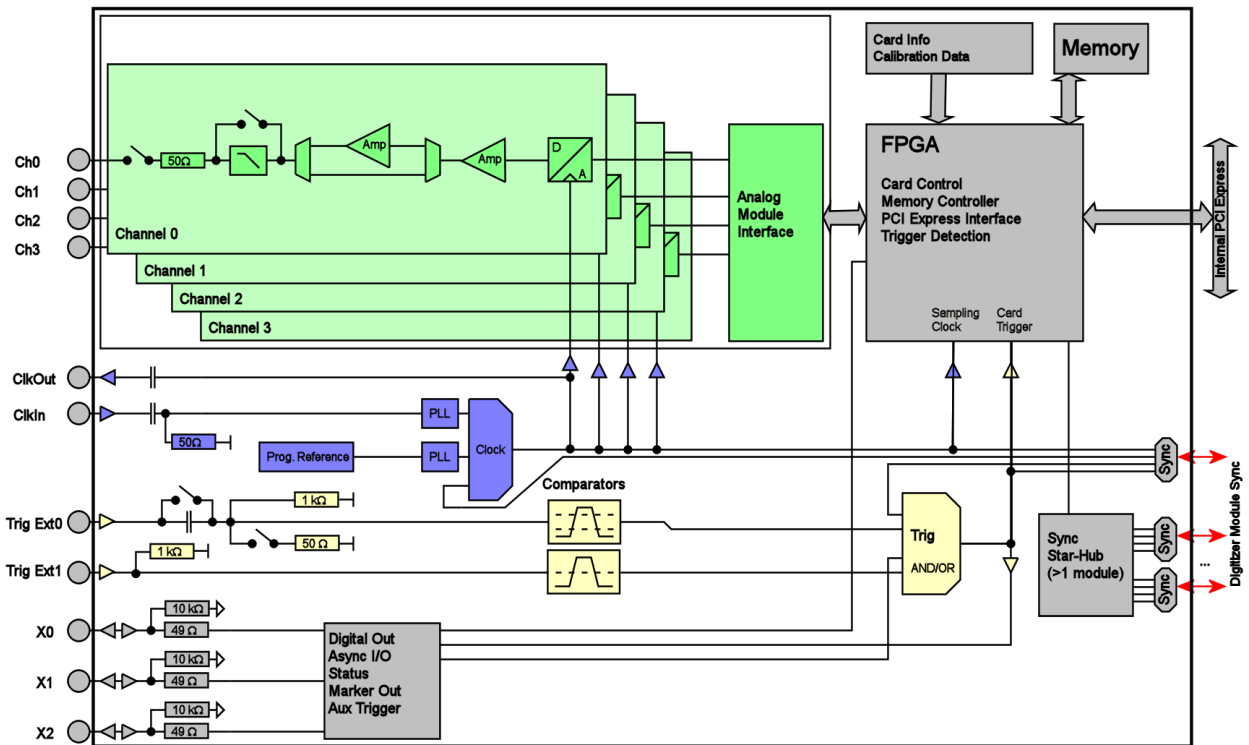
### MTBF

MTBF	TBD hours
------	-----------

### Block diagram of generatorNETBOX DN6



### Block diagram of generatorNETBOX AWG module DN6.66x



## Order Information

The generatorNETBOX is equipped with a large internal memory and supports standard replay, FIFO replay (streaming), Multiple Replay, Gated Replay, Continuous Replay (Loop), Single-Restart as well as Sequence. Operating system drivers for Windows/Linux 32 bit and 64 bit, drivers and examples for C/C++, IVI (Function Generator class), LabVIEW (Windows), MATLAB (Windows and Linux), LabWindows/CVI, .NET, Delphi, Visual Basic, Java, Python and a Professional license of the oscilloscope software SBench 6 are included.

The system is delivered with a connection cable meeting your countries power connection. Additional power connections with other standards are available as option.

### generatorNETBOX DN6 - Ethernet/LXI Interface

Order no.	D/A Resolution	Bandwidth	Single-Ended Channels	Update Rate	Installed Memory
DN6.662-12	16 Bit	200 MHz	12 channels	625 MS/s	3 x 2 GS
DN6.662-16	16 Bit	200 MHz	16 channels	625 MS/s	4 x 2 GS
DN6.662-20	16 Bit	200 MHz	20 channels	625 MS/s	5 x 2 GS
DN6.662-24	16 Bit	200 MHz	24 channels	625 MS/s	6 x 2 GS
DN6.663-06	16 Bit	400 MHz	6 channels	1.25 GS/s	3 x 2 GS
DN6.663-08	16 Bit	400 MHz	8 channels	1.25 GS/s	4 x 2 GS
DN6.663-10	16 Bit	400 MHz	10 channels	1.25 GS/s	5 x 2 GS
DN6.663-12	16 Bit	400 MHz	12 channels	1.25 GS/s	6 x 2 GS

### Options

Order no.	Option
DN6.xxx-Rack	19" rack mounting set for self mounting
DN6.xxx-Emb	Extension to Embedded Server: CPU, more memory, SSD. Access via remote Linux secure shell (ssh)
DN6.xxx-BTPWR	Boot on Power On: the digitizerNETBOX/generatorNETBOX automatically boots if power is switched on.

### Calibration

Order no.	Option
DN6.xxx-Recal	Recalibration of complete digitizerNETBOX/generatorNETBOX DN6 including calibration protocol

### Standard SMA Cables

The standard adapter cables are based on RG174 cables and have a nominal attenuation of 0.3 dB/m at 100 MHz and 0.5 dB/m at 250 MHz. For high speed signals we recommend the low loss cables series CHF

for Connections	Connection	Length	to BNC male	to BNC female	to SMB female	to MMCX male	to SMA male
All	SMA male	80 cm	Cab-3mA-9m-80	Cab-3mA-9f-80	Cab-3mA-3f-80	Cab-1m-3mA-80	Cab-3f-3mA-80
All	SMA male	200 cm	Cab-3mA-9m-200	Cab-3mA-9f-200	Cab-3mA-3f-200	Cab-1m-3mA-200	Cab-3f-3mA-200
Probes (short)	SMA male	5 cm		Cab-3mA-9m-5			

### Low Loss SMA Cables

The low loss adapter cables are based on MF141 cables and have an attenuation of 0.3 dB/m at 500 MHz and 0.5 dB/m at 1.5 GHz. They are recommended for signal frequencies of 200 MHz and above.

Order no.	Option
CHF-3mA-3mA-200	Low loss cables SMA male to SMA male 200 cm
CHF-3mA-9m-200	Low loss cables SMA male to BNC male 200 cm

#### Technical changes and printing errors possible

SBench, digitizerNETBOX and generatorNETBOX are registered trademarks of Spectrum Instrumentation GmbH. Microsoft, Visual C++, Visual Basic, Windows, Windows 98, Windows NT, Window 2000, Windows XP, Windows Vista, Windows 7, Windows 8 and Windows 10 are trademarks/registered trademarks of Microsoft Corporation. LabVIEW, DASLab, Diadem and LabWindows/CVI are trademarks/registered trademarks of National Instruments Corporation. MATLAB is a trademark/registered trademark of The Mathworks, Inc. Keysight VEE, VEE Pro and VEE OneLab are trademarks/registered trademarks of Keysight Technologies, Inc. FlexPro is a registered trademark of Weisong GmbH & Co. KG. PCIe, PCI Express and PCI-X and PCI-SIG are trademarks of PCI-SIG. LXI is a registered trademark of the LXI Consortium. PICMG and CompactPCI are trademarks of the PCI Industrial Computation Manufacturers Group. Oracle and Java are registered trademarks of Oracle and/or its affiliates. Intel and Intel Xeon are trademarks or registered trademarks of Intel Corporation. AMD and Opteron are trademarks or registered trademarks of Advanced Micro Devices.